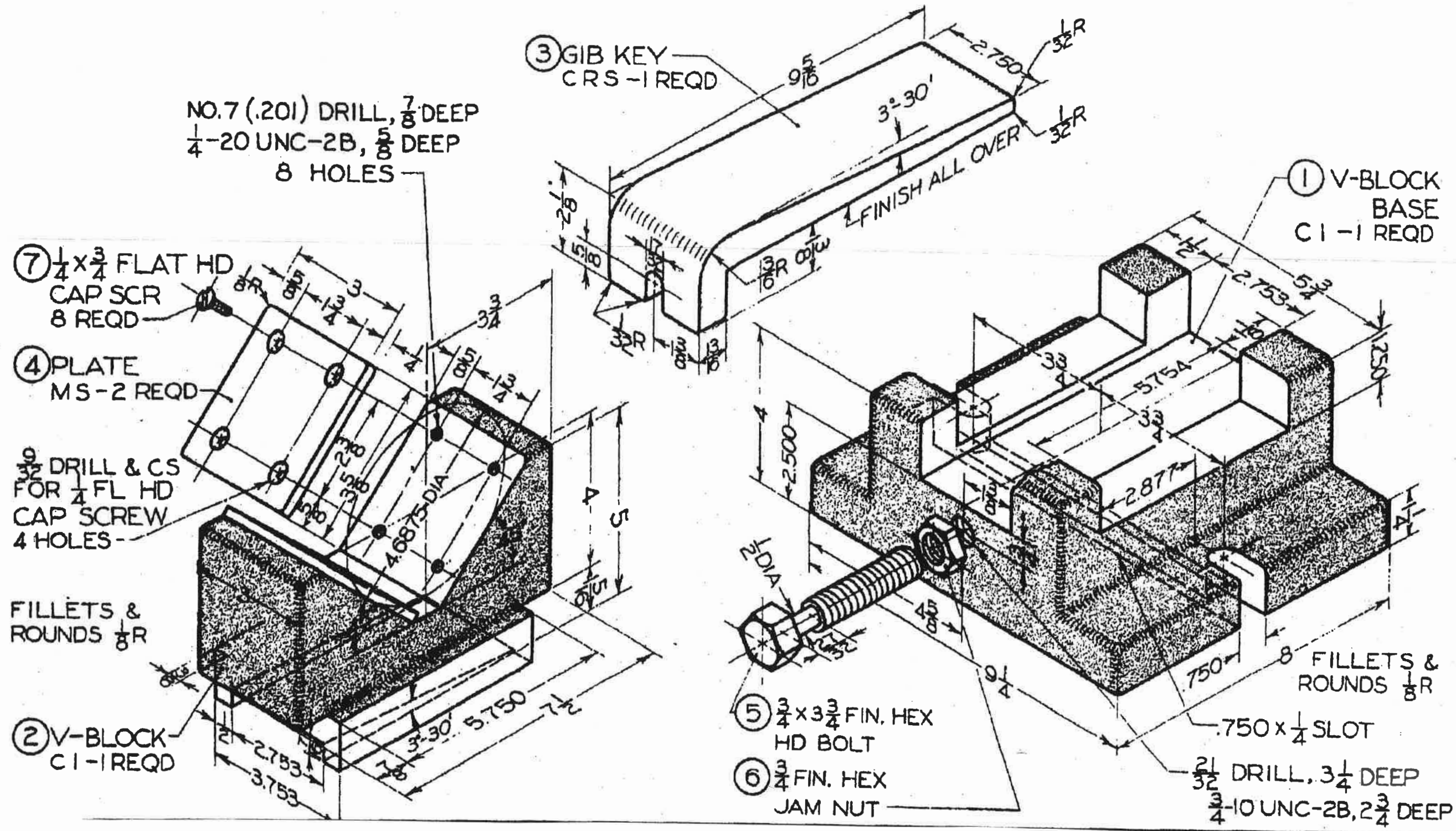


2020 OREGON SKILLSUSA NOVICE CADD

YOU HAVE BEEN TASKED TO CREATE A WORKING DRAWING COMPONENTS OF THE V BLOCK ASSEMBLY. THE MANUFACTURING ENGINEER FOUND THIS OLD DRAWING OF THE PARTS, BUT WANTS WORKING DRAWINGS. ACCURACY COUNTS MORE THAN SPEED.



ON AN 11X17 SHEETS- AT 3/4" = 1" SCALE  
 INCLUDE ALL NEEDED VIEWS FOR WORKING DRAWING AND INCLUDE ISOMETRIC/ TRIMETRIC VIEW AS OBJECT AS SHOWN ABOVE.  
 BE SURE YOU HAVE THE NECESSARY INFORMATION FILLED OUT OUT ON THE TITLE BLOCK  
 PAGE 1- CREATE FULL WORKING DRAWING WITH DIMENSIONS OF PART #2- V BLOCK -  
 PAGE 2- CREATE A WORKING DRAWING OF THE GIB KEY WITH DIMENSIONS.  
 PAGE 2, PART 2- IF TIME, CREATE A FULL WORKING DRAWING OF PART #1 V-BLOCK BASE WITH DIMENSIONS  
 PRINT TO PDF WITH PART SAVED ON A FOLDER ON YOUR DESKTOP- NAMED 2020 SKILLSUSA NC CONTESTANT # PAGE NUMBER (2020 SKILLSUSA NC 1234 PAGE 1)